

SINGLE CHECK VALVES

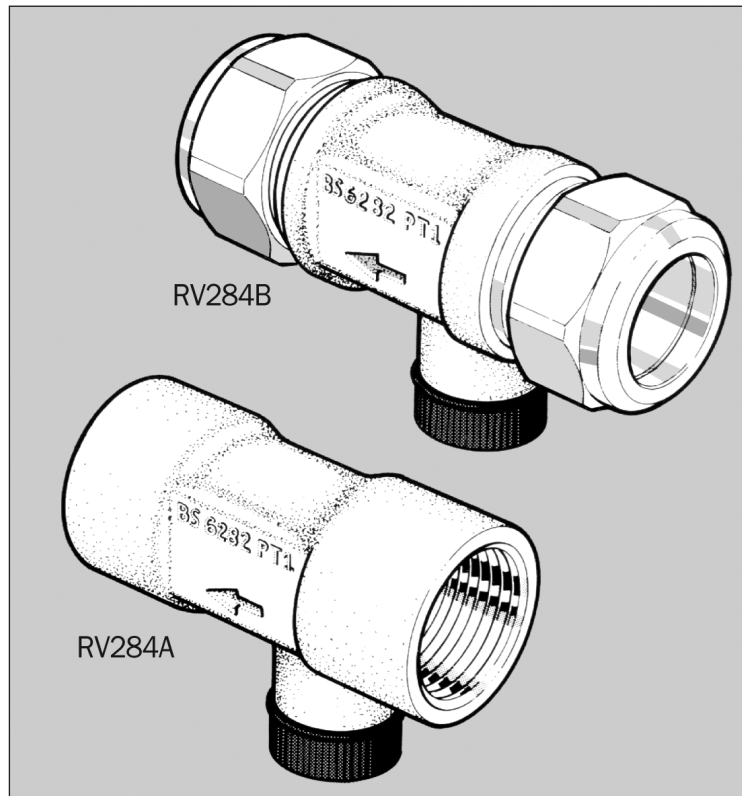
RV284A/B

FEATURES

- High flow capacity, low pressure loss
- BSP or compression fittings
- Test point to check for correct operation
- Inlet check valve and discharge valve are combined in one replaceable cartridge
- WRAS Approved
- DZR brass body
- Conforms to BS6282 Part 1

OPTIONS

- ½ -2" BSP connections



APPLICATION

The RV284A and RV284B check valves are suitable to use for the protection of the mains water system against back pressure, back flow and back siphonage.

They can be used to protect against applications up to and including liquid Category 2 in residential, commercial and industrial buildings.

The valves conform to BS6282 Part 1 for use in hot or cold water systems up to 90°C. Typically, these valves are fitted to the supply to direct water and drinks machines.

NON-ELECTRIC CONTROLS

Honeywell

SINGLE CHECK VALVES

RV284A/B

Installation

The **RV284A** and **RV284B** check valves should be installed with the flow in the direction of the arrow on the body. Care should be taken when using jointing compounds not to allow excess material to enter the valves as this could prevent tight shut-off in reverse flow conditions. The valves will operate in any orientation and are silent in operation. All RV284 single check valves are provided with a $\frac{1}{4}$ " test point to ensure correct functioning.

Ordering Specification

RV284 - $\frac{1}{2}$ A

Class 2 single check valve with $\frac{1}{2}$ " female BSP connections

RV284 - $\frac{3}{4}$ A

As above, but $\frac{3}{4}$ " BSP connections

RV284 - 1A

As above, but 1" BSP connections

RV284 - $\frac{1}{2}$ B

Class 2 single check valve with 15mm compression connections

RV284 - $\frac{3}{4}$ B

As above, but 22mm connections

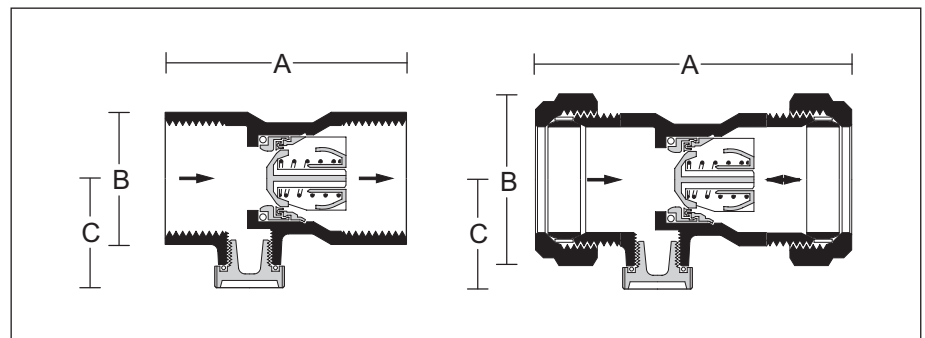
RV284 - 1B

As above, but 28mm connections

Specification

Maximum flow temperature	: 90°C
Maximum static pressure	: 16 bar
Body	: DRZ brass, CZ132
Internal components	: WRc listed materials
Approvals	: WRc approved
Standards	: BS6282 Part 1
Connections	: $\frac{1}{2}$ ", $\frac{3}{4}$ ", 1" BSP female 15mm, 22mm, 28mm compression

Dimensions (mm)



PART NO	CONNECTIONS	A	B	C
RV284- $\frac{1}{2}$ A	$\frac{1}{2}$ " female BSP	52	27	27
$\frac{3}{4}$ A	$\frac{3}{4}$ " female BSP	63	33	29
1A	1" female BSP	69	39	32
RV284- $\frac{1}{2}$ B	15mm compression	72	27	27
$\frac{3}{4}$ B	22mm compression	84	36	29
1B	28mm compression	89	46	32

Flow Graph

