



H4000

Accurate, robust metering

Woltmann cold water meters

H4000 Woltmann cold water meter

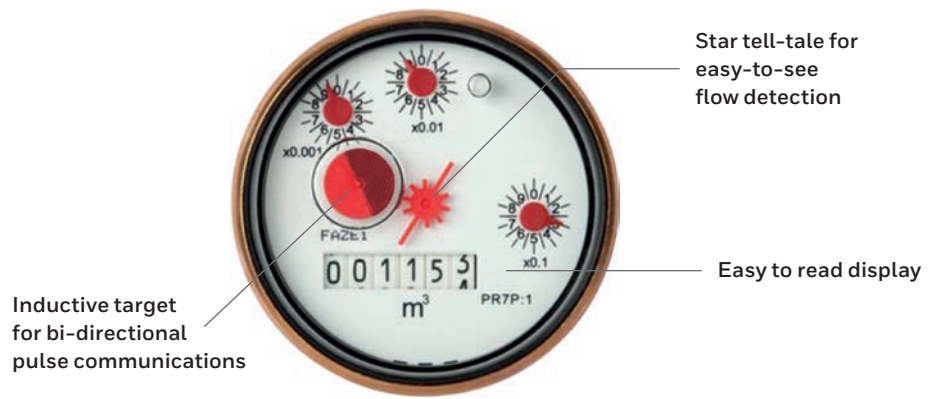
The H4000 is a Woltmann-type meter designed for measuring bulk flows of cold potable water for revenue billing in commercial or industrial applications and distribution system monitoring.

Available in ten sizes for flow rates between 0.35 m³/h and 2000 m³/h, the H4000 operates at temperatures up to 50°C and a maximum working pressure of 16 bar. Accuracy is maintained in both forward and reverse flow, and the product offers the benefits of inductive-based pulse communications technology. The meter is approved to the latest European Directive 2004/22/EC. It can be installed in horizontal, vertical and inclined pipelines.

Intelligent metering

Fully compatible with a range of intelligent meter reading systems, H4000 can provide even more vital management information to assist with effective distribution management, reduce water losses from leakage and improve customer service. When combined with the TRC600 unit, a range of intelligent features including leakage alarms, data logging and tariffs enables a complete metering system that addresses the efficiency objectives for water providers.





Key features

- Inductive register for improved output performance and security
- Extended low and high flow performance
- Suitable for forward and reverse flow metering
- Robust shroud and copper can register for long-life and clear readability
- Longer wear life for optimum accuracy

Robust construction

The H4000 is manufactured from the highest quality materials for maximum resistance to wear and corrosion. Meter body and cover are epoxy powder coated for protection in all environments. Thrust pads and stub spindles are manufactured in tungsten carbide and jewelled rotor bearings are used for maximum wear life. All wetted materials are UK WRAS approved against health risk.

Flexible installation

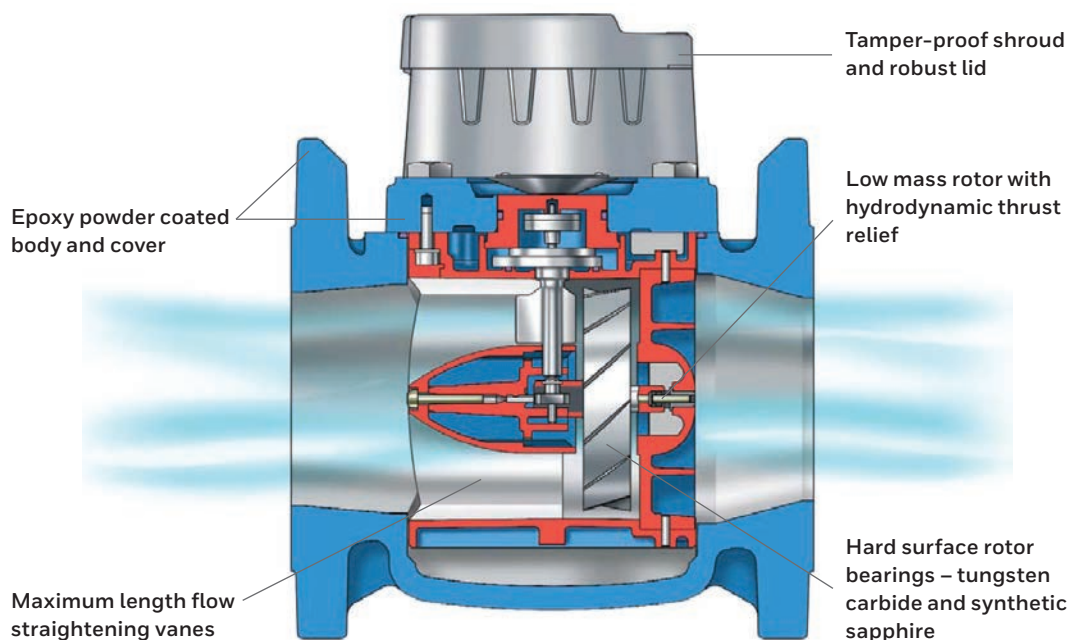
Installation can be in horizontal, vertical and inclined pipelines. The H4000 also achieves good performance in abnormal installations.

Reverse flow metering

Available in sizes up to 150mm, reverse flow metering aids network management and ensures accuracy in revenue billing applications.

Reliable connectivity

The H4000 uses an inductive register to deliver enhanced communications performance and tamper-proof security, offering protection against fraud. The H4000 is compatible with the PR7 inductive pulse transmitter, and offers both high and low speed bi-directional pulse capabilities as standard. The PR7 is fully compatible with other common ancillary devices including data loggers and AMR systems. When used in conjunction with H4000's optional integrated pressure port, this allows convenient logging of flow-rate and pressure simultaneously for effective water resource management.



For more information

www.elstermetering.com

Elster Water Metering Ltd

130 Camford Way
Sundon Park, Luton
Bedfordshire, LU3 3AN
United Kingdom
T +44 1582 846400
F +44 1582 564728
water.metering@elster.com

All rights reserved. The company's policy is one of continuous product improvement and the right is reserved to modify the specifications contained herein without notice. These products have been manufactured with current technology and in accordance with the applicable referenced standards.

Lit Ref: 8516D42106
© 2016 Honeywell International Inc.

Honeywell