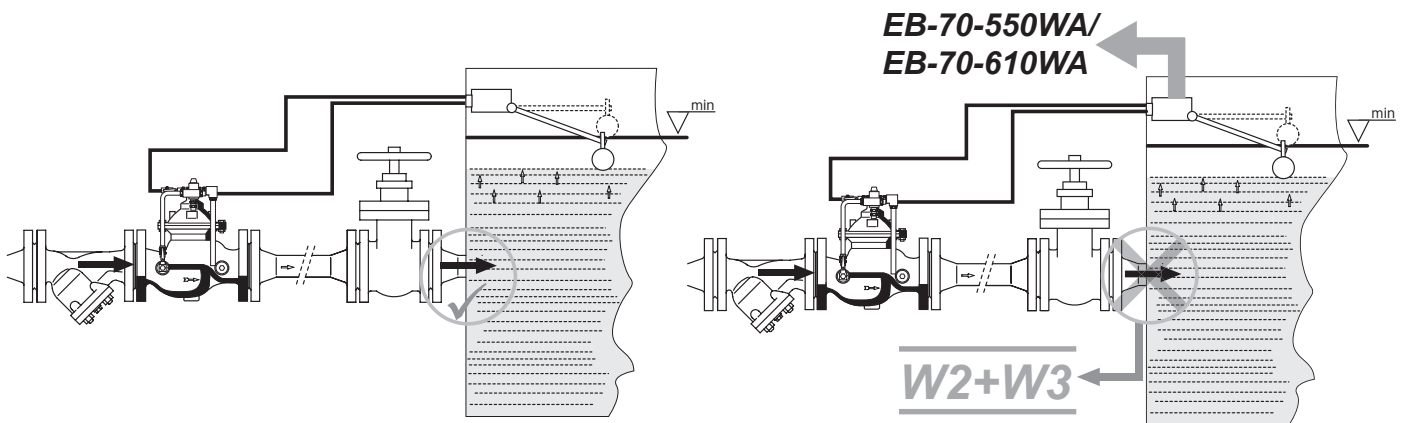


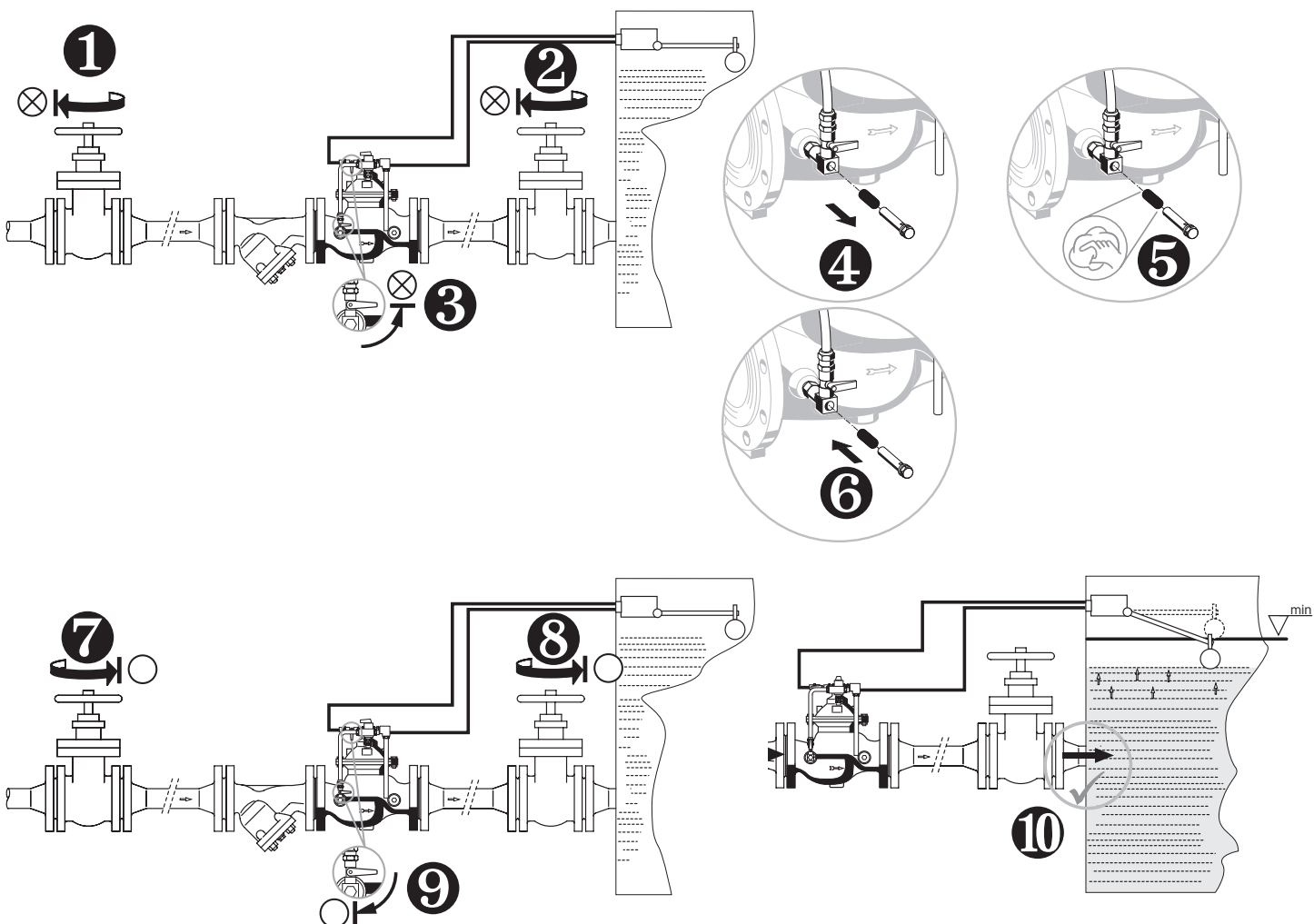
FV300

Wartungs-Anleitung • Maintenance Instructions
Instructions de entretien • Istruzioni di manutenzione

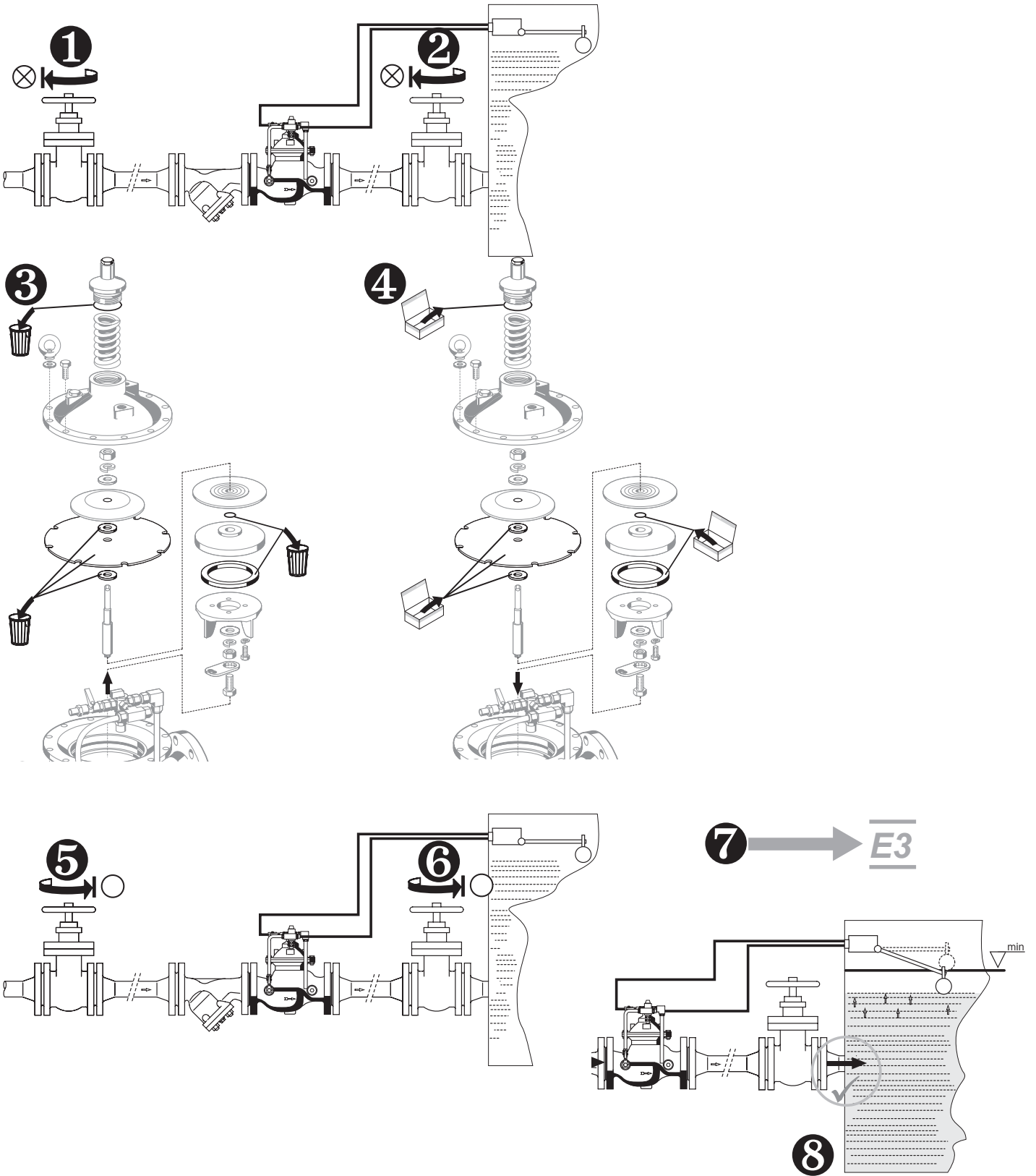
W1 Funktionskontrolle • Checking functions Contrôle de fonctions • Controllo funzioni



W2 Filtereinsatz reinigen • Cleaning self-flushing filter Nettoyer le filtre • Pulizia dell'insero filtro



W3 *Innenteile austauschen • Replace inner Parts • Changer les pièces intérieures • Sostituzione dei componenti interni*



Automation and Control Solutions

Honeywell
 Arlington Business Park
 Bracknell, Berks, RG12 1EB
 Phone: (44) 1344 656000
 Fax: (44) 1344 656454
<http://www.honeywellukwater.com>

Manufactured for and on behalf of the Environmental and Combustion Controls Division of Honeywell Technologies Sàrl, Ecublens, Route du Bois 37, Switzerland by its Authorised Representative Honeywell GmbH

MU1H-1328GE23 R0207
 Subject to change without notice
 © 2007 Honeywell

Honeywell