

BA295

Backflow Preventer Compact construction with threaded connectors

Product specification sheet



Construction

The backflow preventer consists of:

- Housing
- Integral strainer, mesh size approx. 0.6 mm
- Valve cartridge with integral check valve and discharge valve
- Outlet check valve
- Three ball valves for the connection of a differential pressure gauge
- Connection fittings
- Discharge connection

Materials

- Red bronze housing
- High-quality synthetic material valve cartridge
- High-quality synthetic material or red bronze check valves
- Brass ball valves
- Seals in NBR and EPDM
- High-quality synthetic material discharge connection

Application

Backflow preventers of this type are suitable for the protection of drinking water systems against back pressure, back flow and back syphonage.

They can be used for residential buildings, industrial and commercial purposes within the scope of their specification.

Fluids up to and including liquid category 4 to EN 1717 are protected.

Special Features

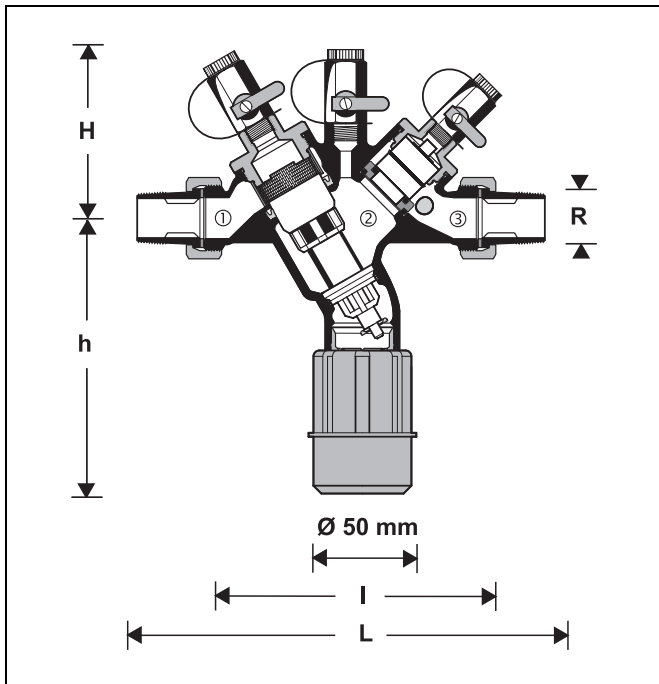
- DIN/DVGW-approved for connection sizes 1/2" - 2"
- SVGW-approved for connection sizes 1/2" and 1 1/4"
- KIWA-approved for connection sizes 1/2" - 2"
- ICIM-approved for connection size 1/2"
- NF-approved for connection size 1/2"
- Approved according to EN12729
- Optimal protection of the drinking water supply system
- Integral inlet strainer
- Inlet check valve and discharge valve are combined in one cartridge
- Minimal maintenance required, because the valve cartridge is completely replaceable
- Optimized design prevents water stagnation
- Compact construction
- Easy access to all internal components
- Low pressure loss and high flow rate
- Triple security - two check valves and a discharge valve separate the backflow preventer into three pressure zones
- Noise tested to class 2
- Meets KTW recommendations for potable water

Range of Application

Medium	Water
Maximum inlet pressure	10.0 bar
Minimum inlet pressure	1.5 bar

Technical Data

Installation position	Horizontal with discharge valve downwards
Max. operating temperature	65°C
Discharge pipe connection	DN50 for connection sizes 1/2" - 1" DN70 for connection sizes 1 1/4" - 2"
Connection size	1/2" - 2"



Method of Operation

BA type backflow preventers are divided into three pressure zones. The pressure in zone ① is higher than in zone ②, which in turn is higher than in zone ③. A discharge valve is connected to zone ② which opens at the latest when the differential pressure between zones ① and ② falls to 0.14 bar. The water from zone ② discharges to atmosphere. In this way the danger of back pressure or back syphonage into the supply network is prevented. The pipework connection is interrupted and the drinking water network is protected.

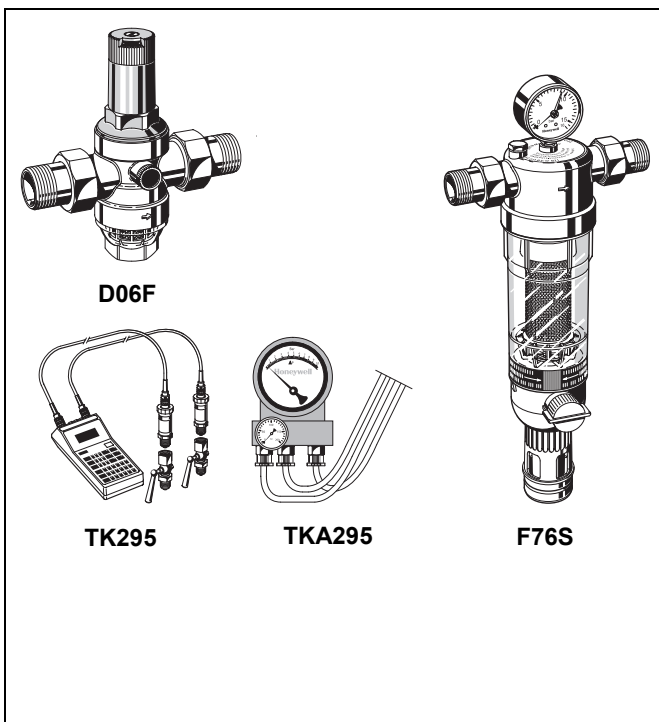
Options

BA295-... A = Standard version with threaded connections 1/2", 3/4", 1 1/2" and 2"

BA295-... B = Standard version with threaded connections 1" and 1 1/4"

Connection size

Connection size	R	1/2"	3/4"	1"	1 1/4"	1 1/2"	2"
Weight	approx. kg	1.5	1.55	1.65	4.60	4.70	4.80
Dimensions	mm						
	L	195	208	225	315	315	345
	l	135	140	146	220	220	230
	H	80	80	80	284	284	284
	h	138	138	138	162	162	162
DIN/DVGW Approval No.		DW - 6305 BN 0290					



Accessories

D06F Pressure reducing valve

Noise protected pressure reducing valve with setting scale. Maximum inlet pressure 16 bar, with brass filter bowl 25 bar, outlet pressure range 1.5 - 6.0 bar
 A = With clear filter bowl up to 40 °C / 16 bar
 B = With brass filter bowl up to 70 °C / 25 bar

TK295 Test kit

Electronic pressure measuring device with digital indicator, battery-operated. With case and accessories, ideal for inspection and maintenance of backflow preventer type BA.

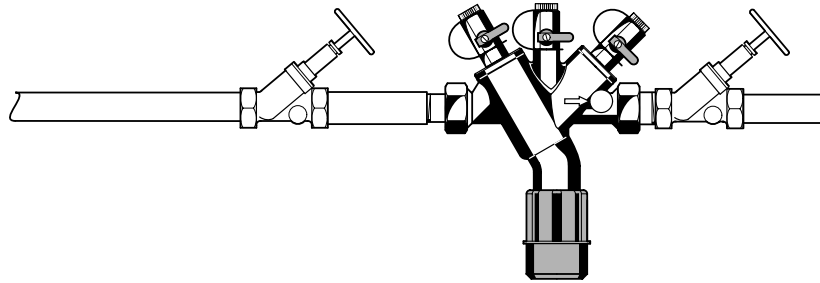
TKA295 Test kit

Analogue pressure measuring device with differential pressure display. With case and accessories, ideal for inspection and maintenance of backflow preventer type BA.

F76S Fine filter, reverse rinsable

AA= With clear filter bowl
 AAM= With red bronze filter bowl

Installation Example



Installation Guidelines

- Install shutoff valves before and after backflow preventer
- Install in horizontal pipework with the discharge valve downwards
- Ensure good access
 - Simplifies maintenance and inspection
- Backflow preventers of this type have an integral strainer which protects the device from the ingress of dirt
- Do not install in places where flooding can occur
- The installation environment should be protected against frost and ventilated well
- Install discharge pipework which has adequate capacity

Typical Applications

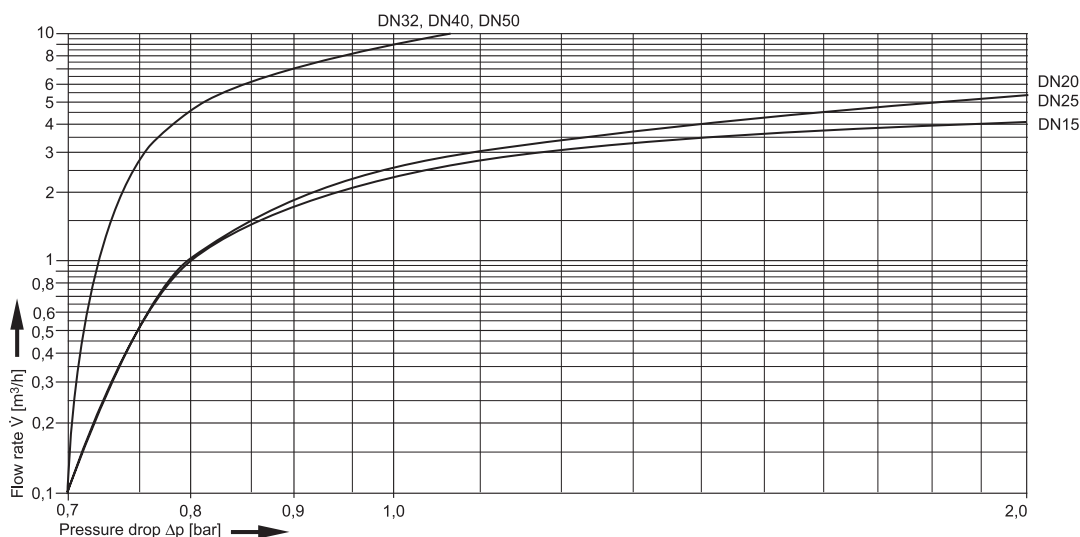
Backflow preventers are ideally suited for industrial and commercial applications.

However they can also be used for supplies to residential buildings within the scope of their specification.

The following are some typical applications:

- Chemical mixing plant
- Chemical cleaning appliances
- Softening and deacidification plant without DVGW approval. Regeneration with and without acid and alkaline solutions. Disinfection with Formalin
- Film development plant without DVGW certification
- Galvanic bath
- Boilers and automatic pressure fermentation equipment
- Heating filling systems, water with inhibitors
- High pressure cleaners with chemical supplementation
- Laboratory workbenches
- Milking machines
- Float valves

Flow Diagram





Spare Parts

Backflow preventer BA295, from 2001 onwards

No.	Description	Dimension	Part No.
1	Cartridge insert	1/2" - 1"	0903733
	complete	1 1/4" - 2"	0903745
2	Check valve insert	1/2" - 1"	RV295-1/2
	complete	1 1/4" - 2"	RV295-1 1/4

Automation and Control Solutions

Honeywell GmbH
 Hardhofweg
 D-74821 Mosbach
 Phone: (49) 6261 810
 Fax: (49) 6261 81309
<http://europe.hbc.honeywell.com>
www.honeywell.com

Manufactured for and on behalf of the
 Environmental and Combustion Controls Division
 of Honeywell Technologies Sàrl, Ecublens, Route
 du Bois 37, Switzerland by its Authorised Repre-
 sentative Honeywell GmbH

EN0H-1220GE23 R1207
 Subject to change without notice
 © 2007 Honeywell GmbH

Honeywell