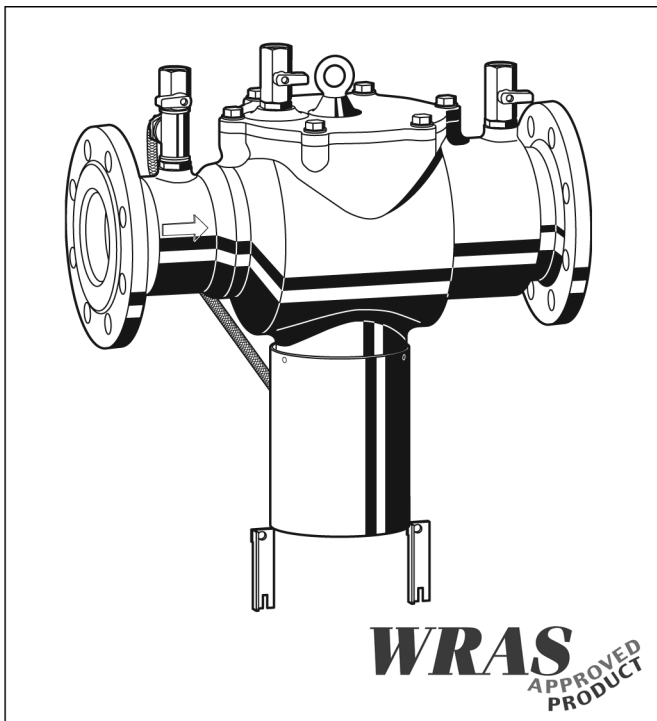


BA300

Backflow preventer with flanged connections

Product specification sheet



Application

Backflow preventers of this type are suitable for the protection of drinking water systems against back pressure, back flow and back syphonage.

Fluids up to and including liquid category 4 to EN 1717 are protected.

They can be used for residential buildings, industrial and commercial purposes within the scope of their specification.

The powder coated ductile iron housing provides increased corrosion protection.

Special Features

- Optimal protection of the drinking water supply system
- Easy access to all internal components
- Powder coated ductile iron housing gives increased corrosion protection
- Easy Maintenance due to optimized construction
- Triple security - two check valves and a discharge valve separate the backflow preventer into three pressure zones
- Few individual parts
- Light weight
- Standardised discharge connection

Construction

The backflow preventer consists of:

- Housing
- Inlet and outlet check valves
- Discharge valve
- Three ball valves for the connection of a differential pressure gauge

Materials

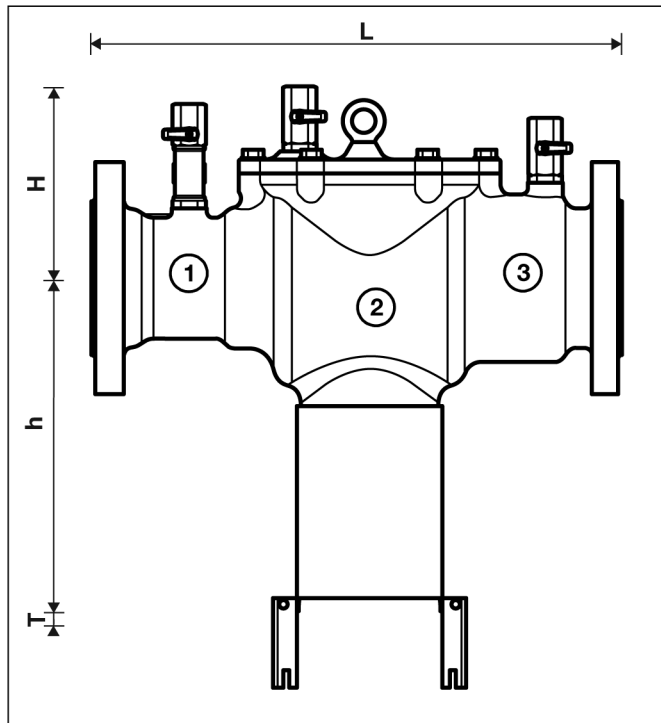
- Ductile iron housing, powder coated with Rilsan
- Stainless steel and brass check valves (DN65-200)
- EPDM diaphragm
- EPDM sealing washers
- Brass discharge valve
- Polyethylene pressure control line with stainless steel braid
- Chrome plated brass ball valves

Range of Application

Medium	Water
Inlet pressure	max. 10.0 bar
Operating pressure	min. 1.5 bar

Technical Data

Installation position	Horizontal with discharge valve downwards
Max. operating temperature	65 °C
Discharge pipe connection	DN150
Connection size	DN65 - DN200



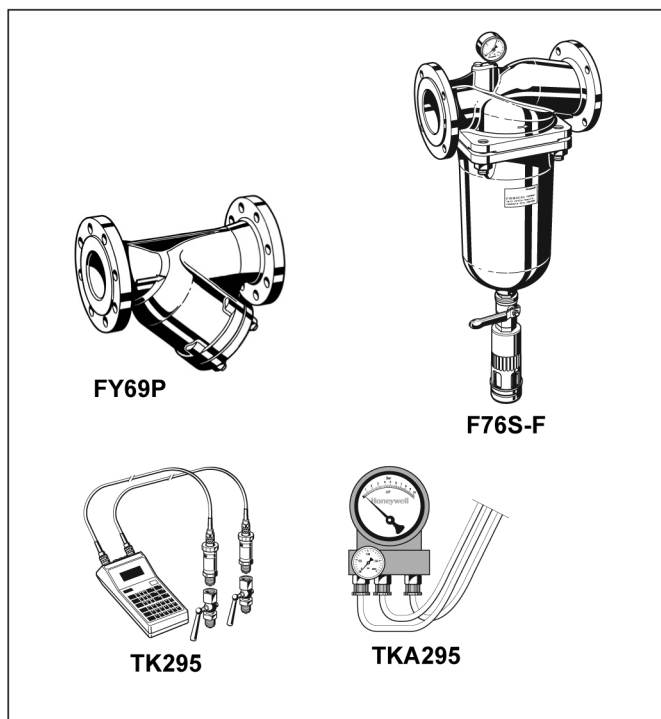
Method of Operation

BA type backflow preventers are divided into three pressure zones. The pressure in zone ① is higher than in zone ②, which in turn is higher than in zone ③. A discharge valve is connected to zone ② which opens at the latest when the differential pressure between zones ① and ② drops to 0.14 bar. The water from zone ② discharges to atmosphere, both check valves close and therefore separate zone ② from zone ① and ③. In this way the danger of back pressure or back syphonage into the supply network is prevented. The pipework connection is interrupted and the drinking water network is protected.

Options

BA300-... A = Standard version, connection sizes DN 65 - 200
 □ connection with flanges, PN 10
 Connection size

Connection size	DN	65	80	100	150	200
Weight	kg	23.9	32.7	44.6	70.9	114.1
Dimensions	mm					
	L	356	440	530	630	763
	H	152	167	185	219	254
	h	246	275	296	314	346
	T	77	77	77	77	77
Nominal flow rate at $\Delta p = 1$ bar	m ³ /h	35.8	54.3	108	190.9	339.3
Discharge flow rates in the event of failure	m ³ /h	35	35	35	35	35



Accessories

FY69P Strainer

With double mesh, grey cast iron housing, powder coated inside and outside.

A = Mesh size approximately 0.5 mm

F76S-F Reverse-rinsing filter

Red bronze housing and filter bowl. Available in sizes DN 65 to DN 100, with filter mesh sizes 100 µm or 200 µm

TK295 Test kit

Electronic pressure measuring device with digital indicator, battery-operated.

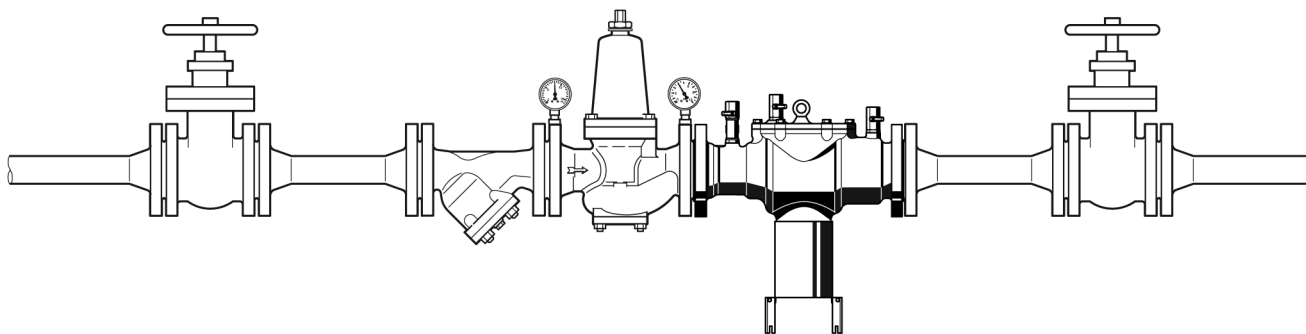
With case and accessories, ideal for inspection and maintenance of backflow preventer type BA.

TKA295 Test kit

Analogue pressure measuring device with differential pressure display.

With case and accessories, ideal for inspection and maintenance of backflow preventer type BA.

Installation Example



Connection size	DN	65	80	100	150	200
Minimum clearance above backflow preventer	(mm)	650	650	650	650	650
Clearance from wall	(mm)	160	160	160	200	200

Installation Guidelines

- Install shutoff valves before and after backflow preventer
- Install backflow preventer downstream of the filter or strainer
 - This protects the appliance against dirt
- Install in horizontal pipework with the discharge valve downwards
- Ensure good access
- Simplifies maintenance and inspection
- Do not install in places where flooding can occur
- The installation environment should be protected against frost and ventilated well
- Install discharge pipework which has adequate capacity

Typical Applications

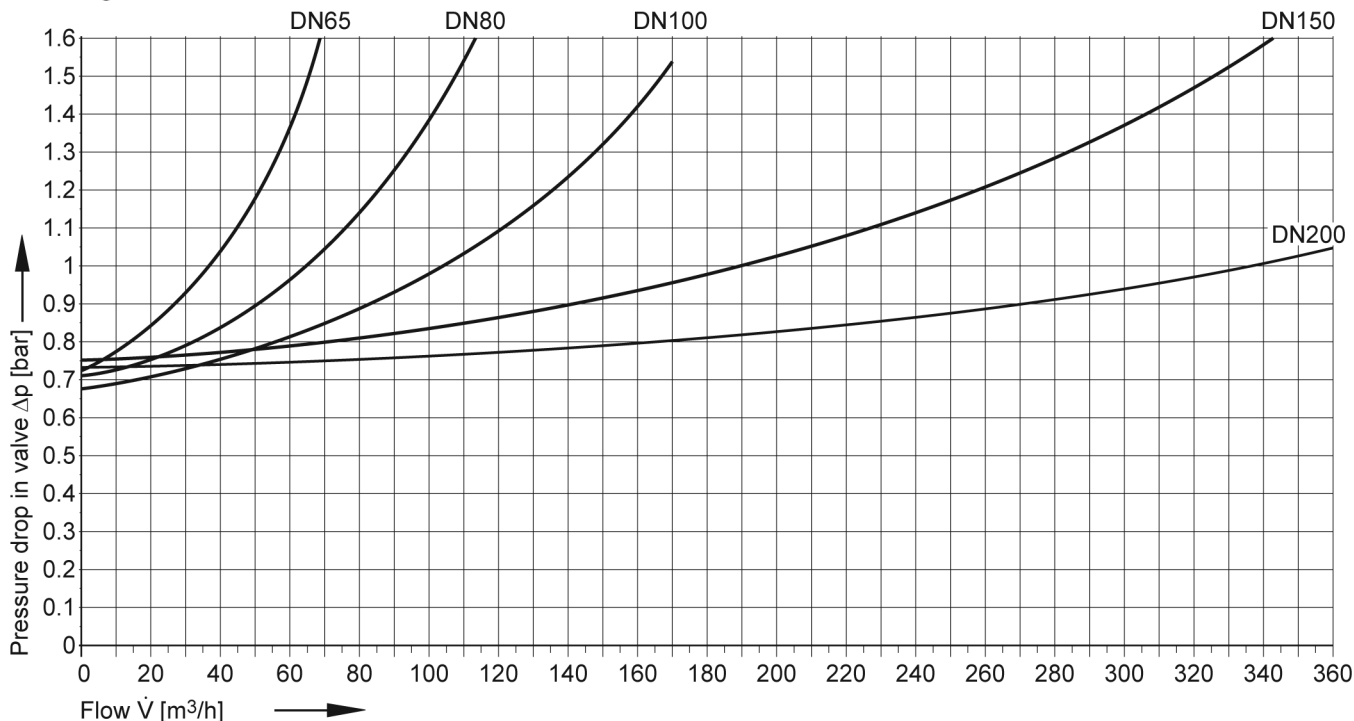
Backflow preventers are ideally suited for industrial and commercial applications.

However they can also be used for supplies to residential buildings within the scope of their specification.

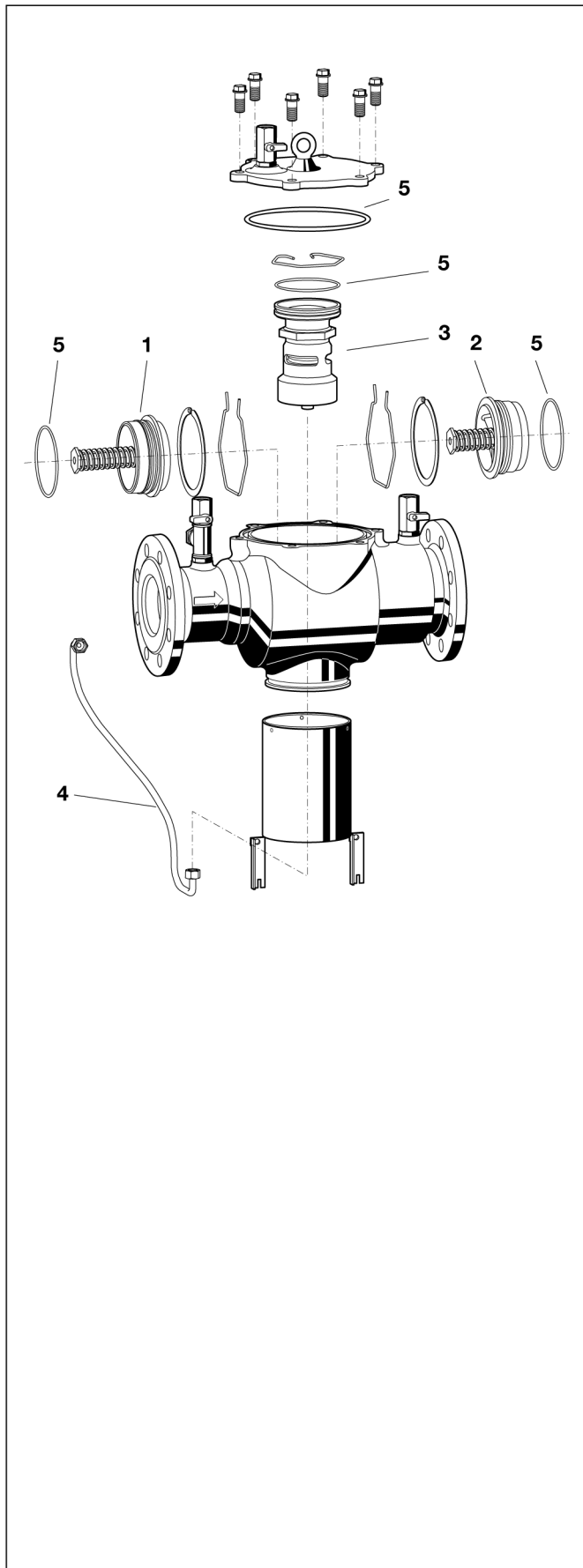
The following are some typical applications:

- Chemical mixing plant
- Chemical cleaning appliances
- Irrigation systems
- Commercial Laundries
- Commercial Dishwashing
- Breweries
- Galvanic bath

Flow Diagram



EN0H-1242GE23 R0713 • Subject to change



Spare Parts

Backflow preventer BA300, from 2011 onwards

No.	Description	Dimension	Part No.
1	Inlet check valve	DN65	0904052
		DN80	0904053
		DN100	0904054
		DN150	0904055
		DN200	0904056
2	Outlet check valve	DN65	0904057
		DN80	0904058
		DN100	0904059
		DN150	0904060
		DN200	0904061
3	Discharge valve	DN65 -200	0904062
4	Pressure control line	DN65	0904063
		DN80	0904064
		DN100	0904065
		DN150	0904066
		DN200	0904067
5	Sealing set	DN65	0904068
		DN80	0904069
		DN100	0904070
		DN150	0904071
		DN200	0904072

Automation and Control Solutions

Honeywell GmbH
 Hardhofweg
 74821 MOSBACH
 GERMANY
 Phone: (49) 6261 810
 Fax: (49) 6261 81309
<http://ecc.emea.honeywell.com>

Manufactured for and on behalf of the
 Environmental and Combustion Controls Division
 of Honeywell Technologies Sàrl, Z.A. La Pièce 16,
 1180 Rolle, Switzerland by its Authorised Repre-
 sentative Honeywell GmbH

EN0H-1242GE23 R0813
 Subject to change without notice
 © 2013 Honeywell GmbH

Honeywell