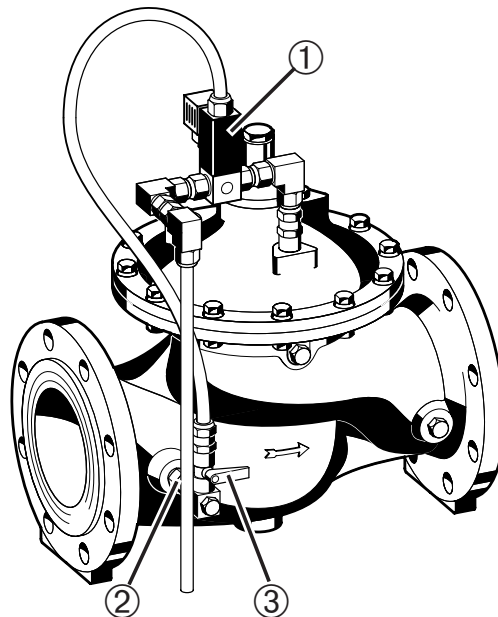


E1

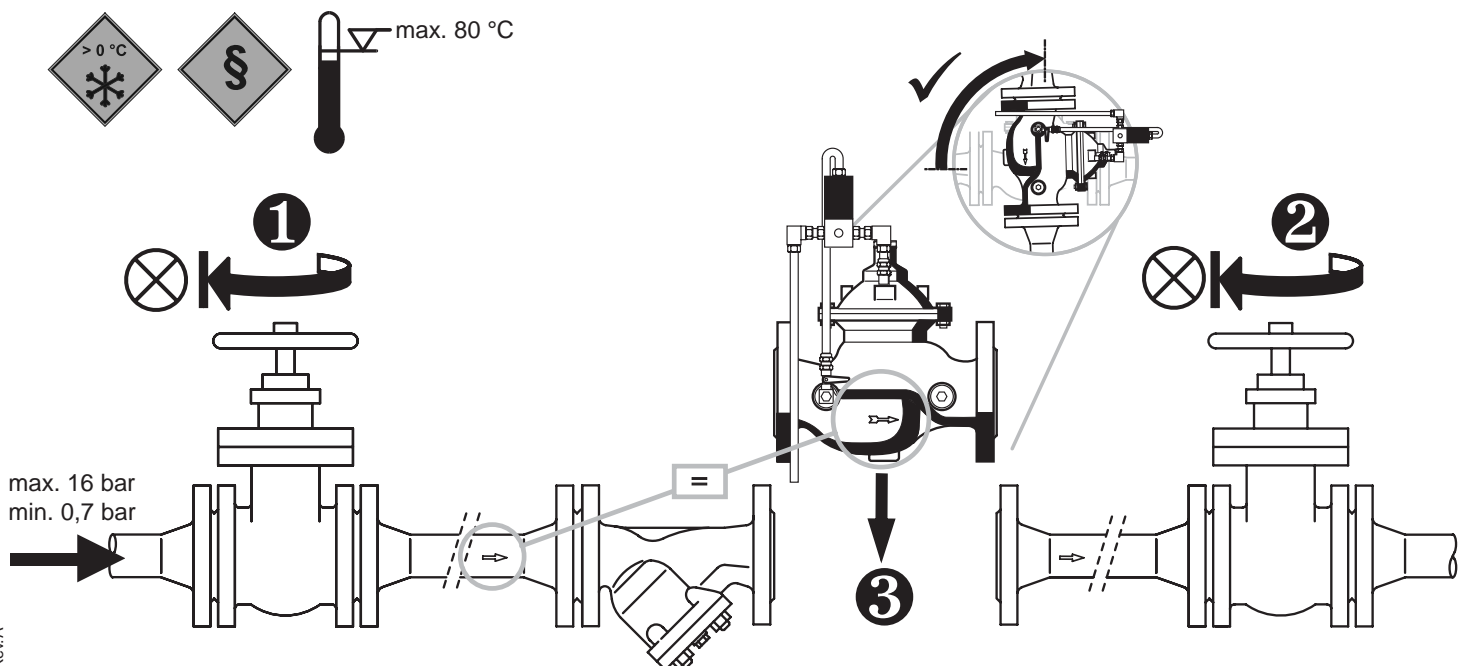
Bauteile • Components • Pièces • Componenti

- ①= Magnetventil
Magnetic solenoid valve
Vanne magnétique
Elettrovalvola
- ②= Filtereinsatz
Filter insert
Garniture de filtration
Inserto filtro
- ③= Absperr-Kugelhahn
Manual ball valve
Clapet à bille
Valvola di intercettazione a sfera



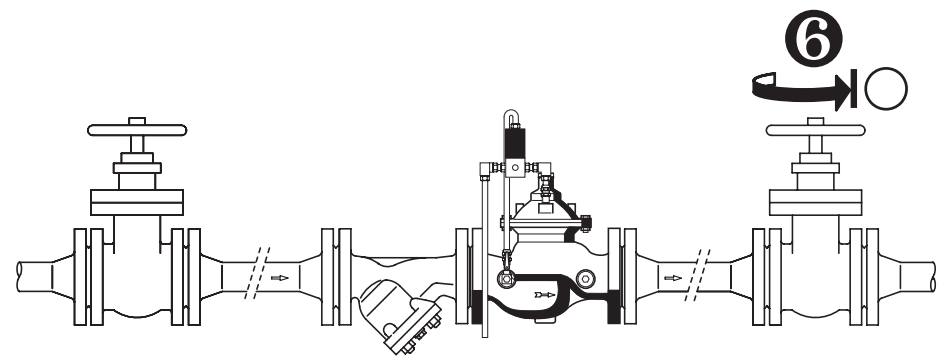
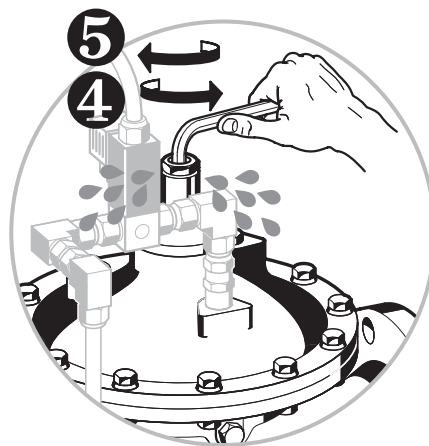
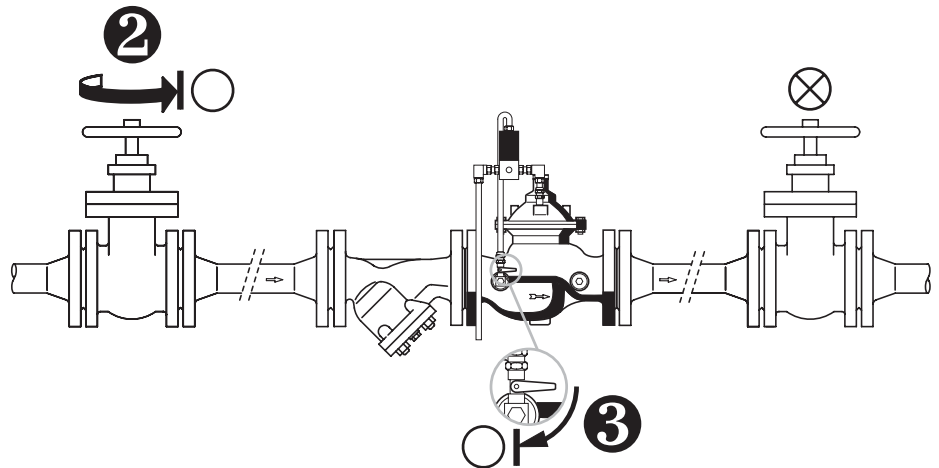
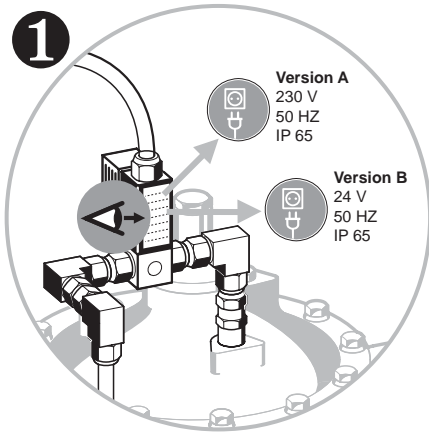
E2

Einbau • Installation • Installation • Installazione



E3

Inbetriebnahme • Commissioning • Mise en service
Messa in servizio



Automation and Control Solutions

Honeywell GmbH
Hardhofweg
74821 MOSBACH
GERMANY
Phone: (49) 6261 810
Fax: (49) 6261 81309
<http://ecc.emea.honeywell.com>

Manufactured for and on behalf of the Environmental and Combustion Controls Division of Honeywell Technologies Sàrl, Rolle, Z.A. La Pièce 16, Switzerland by its Authorised Representative Honeywell GmbH

MU1H-1330GE23 R0812
Subject to change without notice
© 2012 Honeywell GmbH

Honeywell